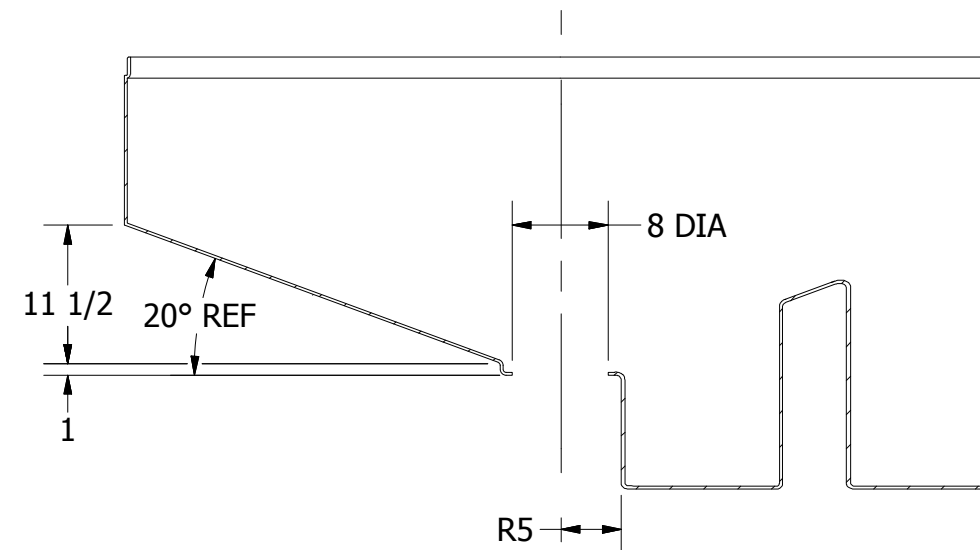
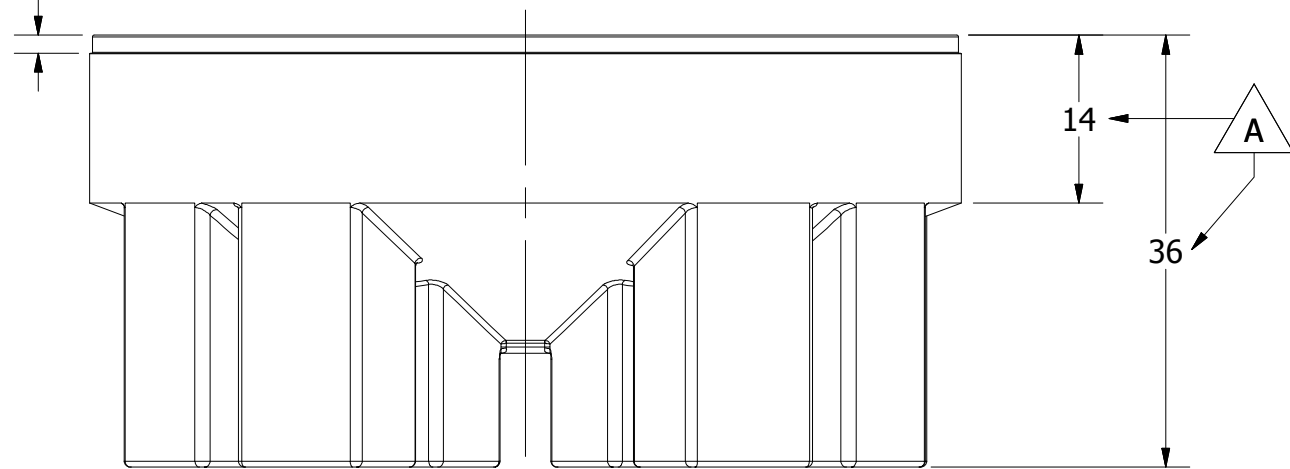
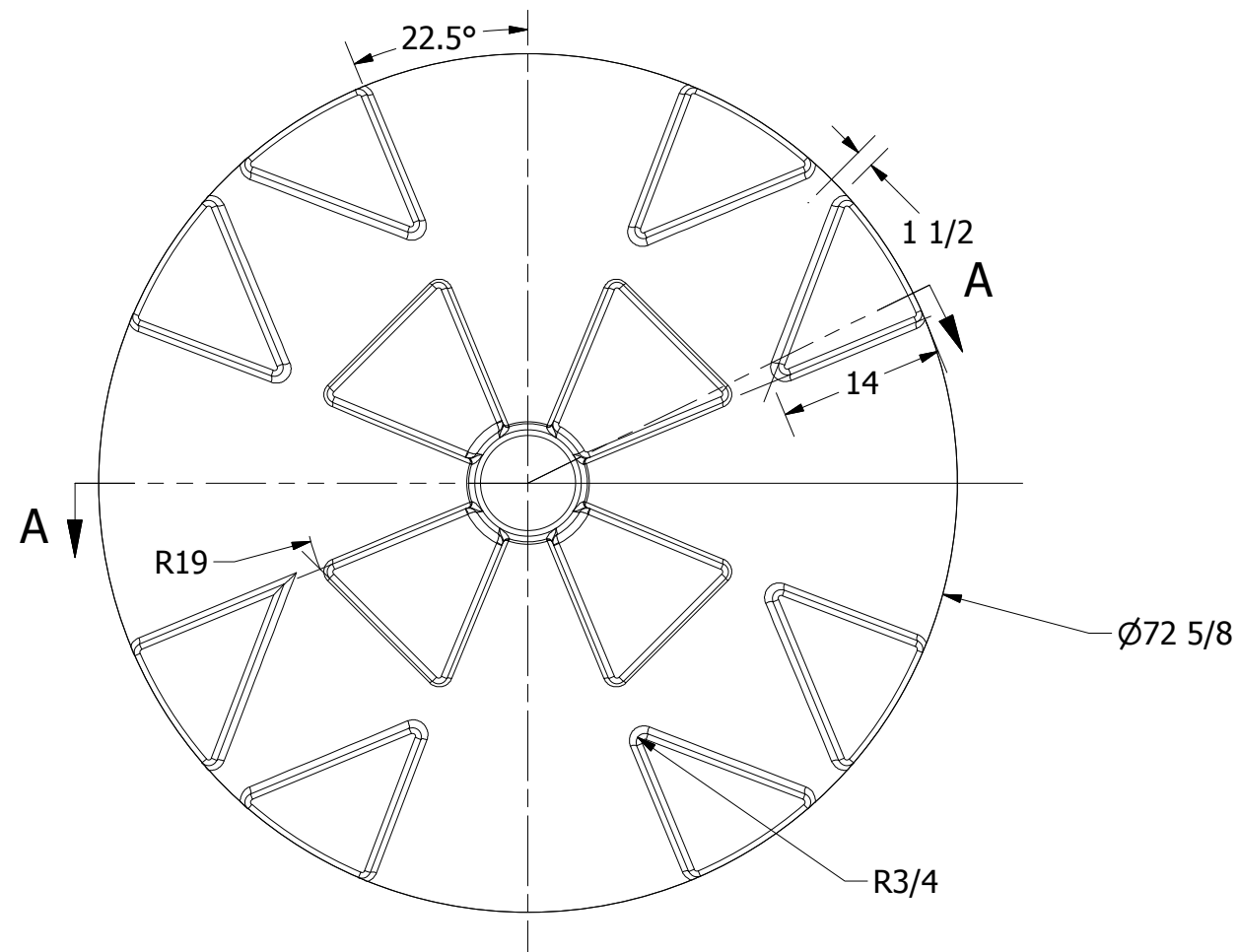



1 1/2 X 1/4 DEEP



SECTION A-A



REVISION HISTORY			
REV	DESCRIPTION	DATE	AUTHOR
A	REDRAWN: DIMENSIONS CORRECTED	6/25/2013	Michael Holden
DRAWN	Jerry Paulson	9/4/1997	 NORWESCO, INC. SAINT BONIFACIUS, MN TITLE <b>STAND, 750 / 1050 CONE BOTTOM TANK</b>
CHECKED			
QA			
MFG			
APPROVED			
	SIZE	DWG NO	REV
	<b>B</b>		<b>A</b>
	SCALE: 1/16		SHEET 1 OF 1